

# SWIFT PALLET RACKING

**Tools required: Rubber mallet, electric drill, metric spanners and spirit level**

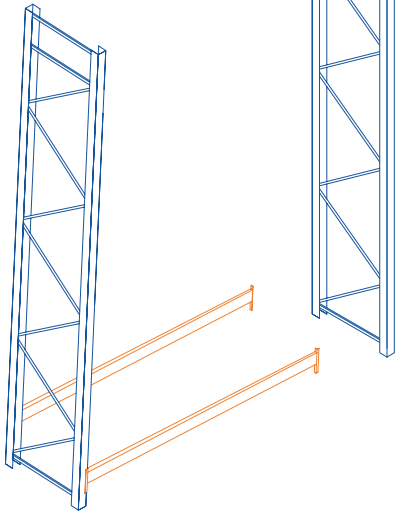
## IMPORTANT

- 1 Pallet Racking must only be erected on flat and level concrete capable of withstanding the applied load.
- 2 Racking must be floor fixed with the anchors provided.
- 3 Follow safe working procedures - check your health and safety policy.
- 4 When installing the system, we recommend that no person should be higher than 2m from the ground without the use of safety harnesses.
- 5 High bay pallet racking must be installed by experienced installers using suitable handling equipment - forklifts and scissor lifts.

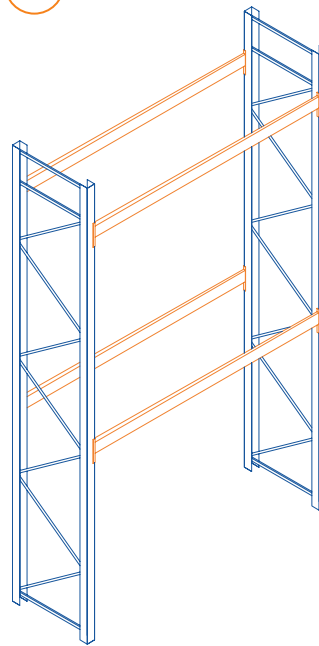
*If in doubt, ask for our installation service.*

**A**

Fit beams at bottom to stabilise first bay, insert safety pins



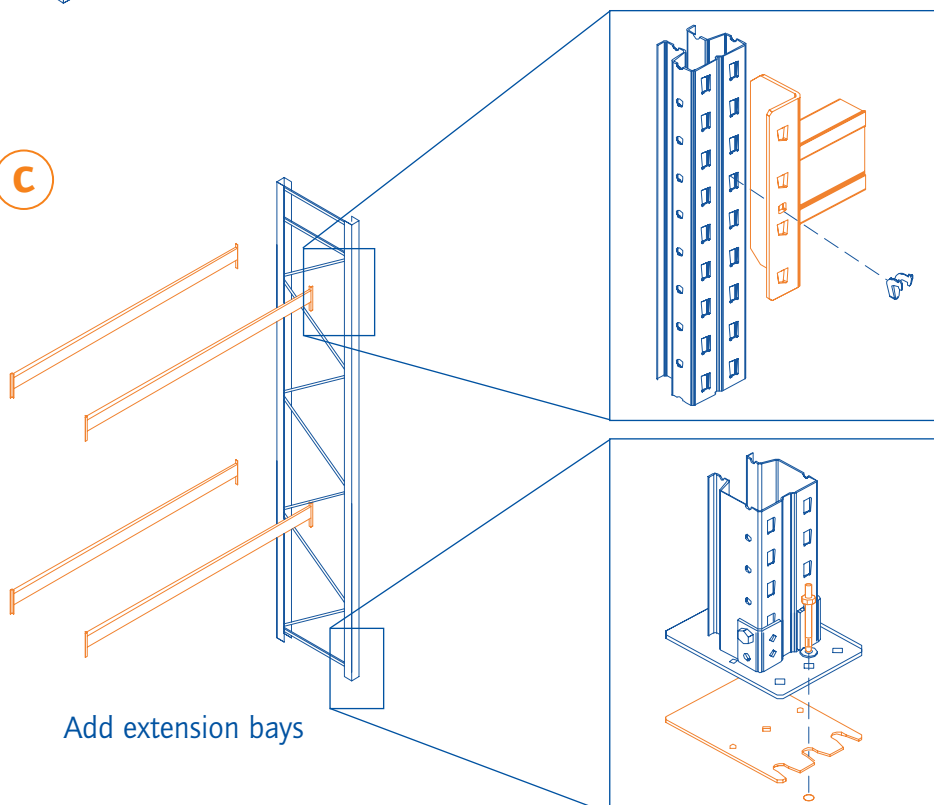
**B**



**We advise the use of protective gloves and goggles, or eyeglasses when assembling this product.**

Fit upper beams at desired level and remove bottom beams

**C**



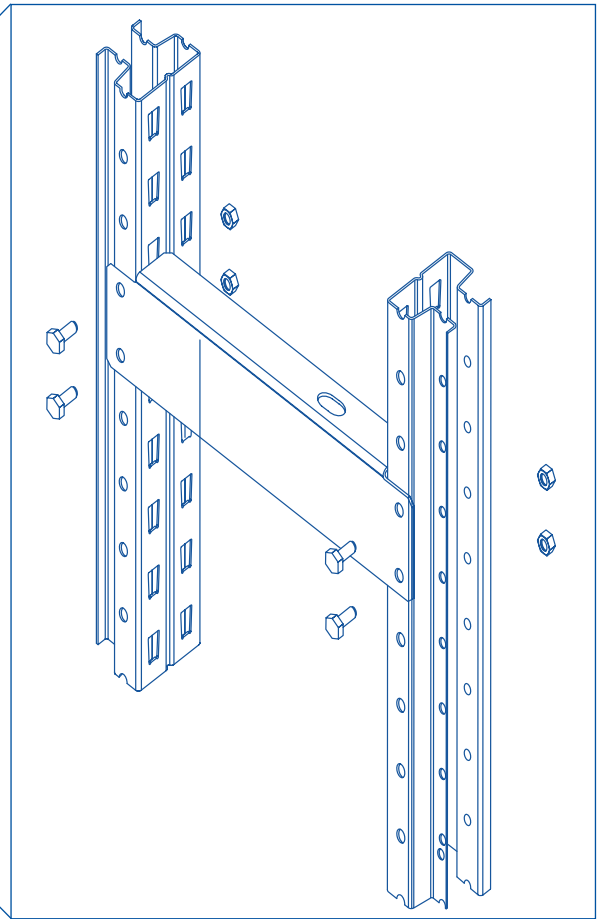
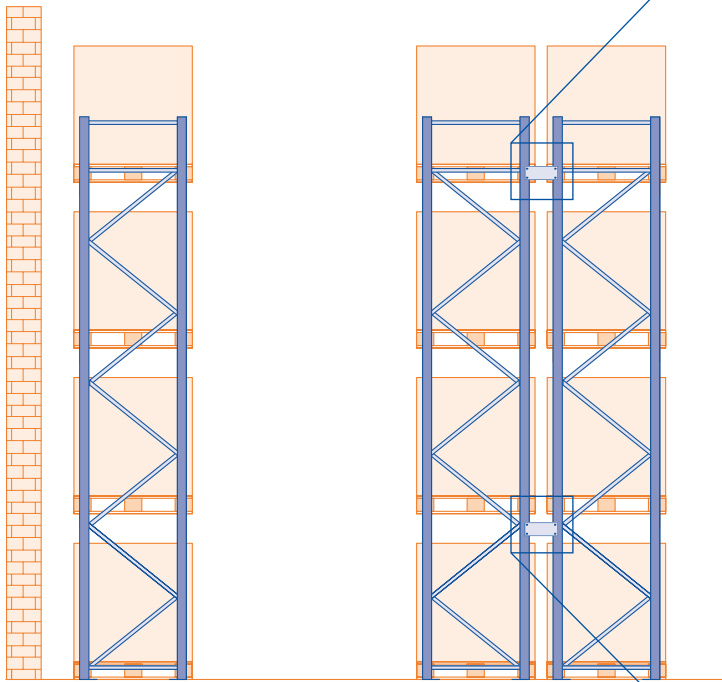
Add extension bays

Fit safety pin through beam connector and post

Check levels with a spirit level. Shims may be inserted below the footplate to level the rack, fit floor anchor through footplate and shims

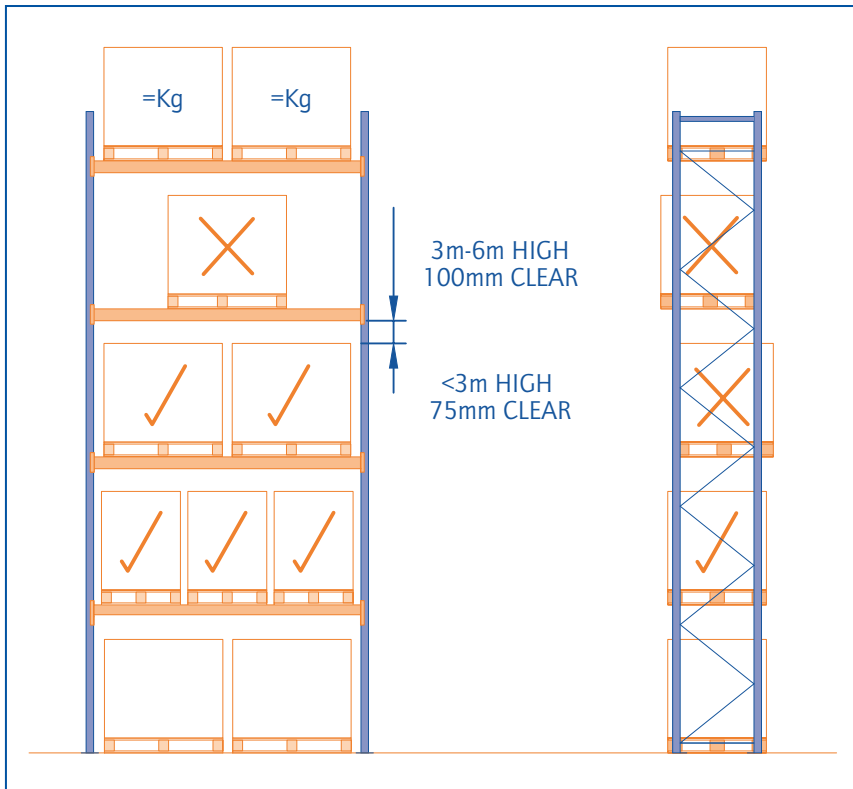
# PALLET RACKING

## SAFETY



Allow sufficient clearance for pallet overhang.  
Note the orientation of frames and positions of row spacers

For back to back systems, fix row spacers with 4 No M8 x 25



**Ensure all loads are uniformly distributed and adequate clearances are maintained.  
If in doubt ask for advice**



**Fix load charts to each run of racking**