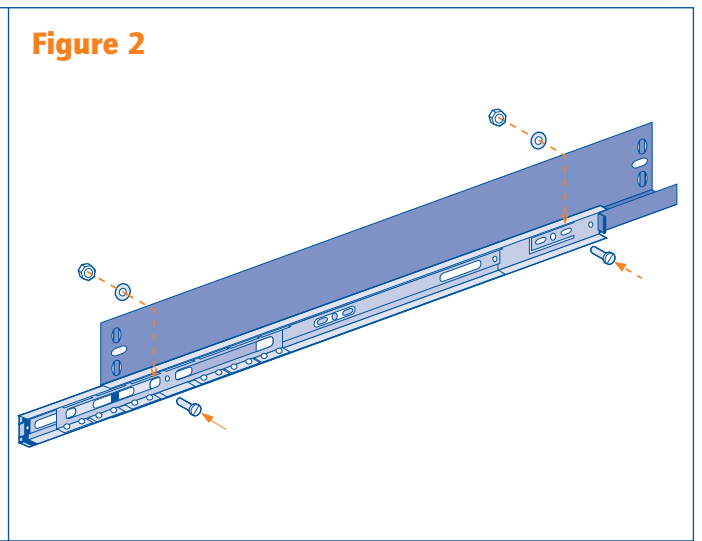
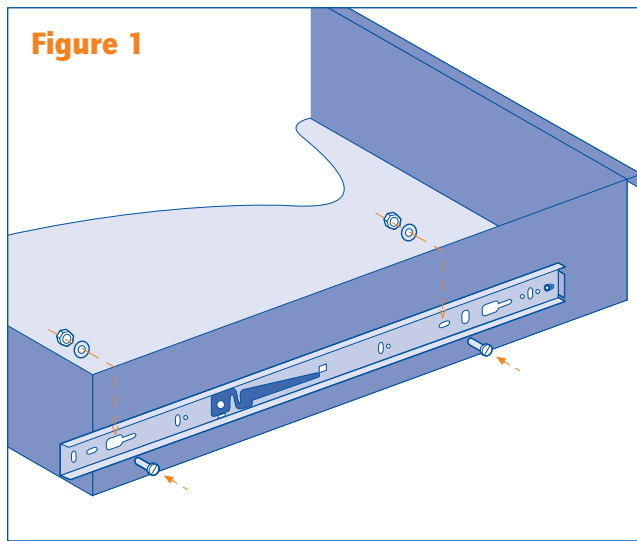


Tools required: Rubber mallet, screw driver and a spanner

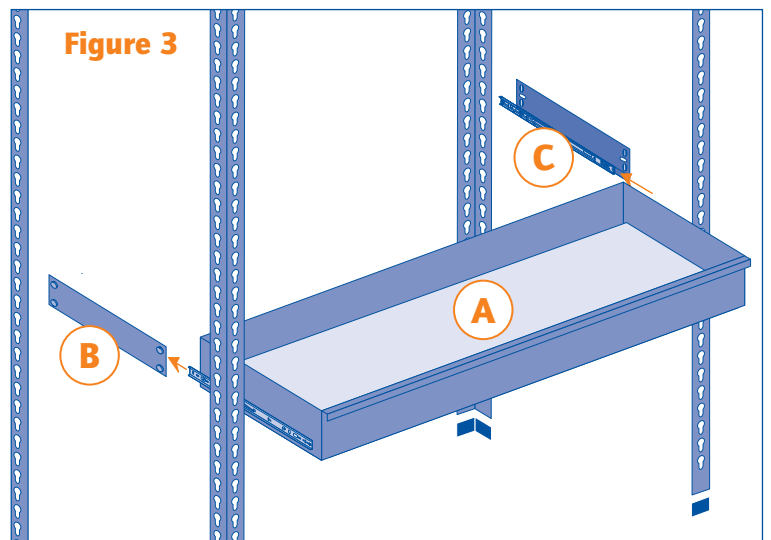
We advise the use of protective gloves and goggles, or eyeglasses when assembling this product.



Draw Kit shown here being assembled

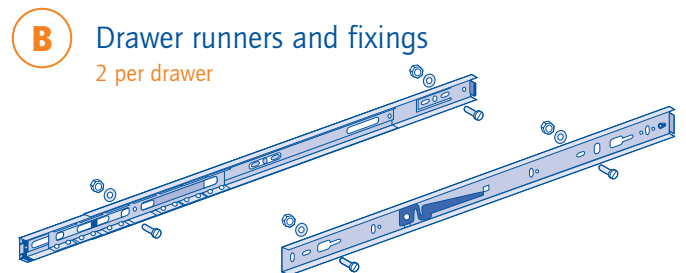
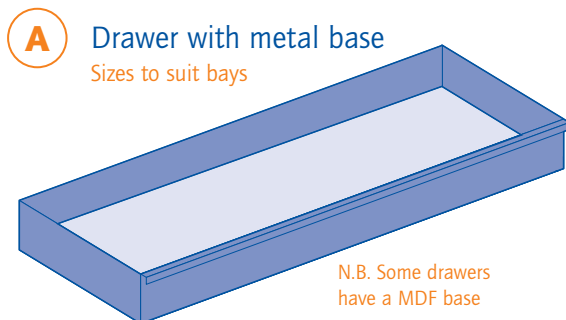
ASSEMBLY

- 1 Separate the static part of the draw slide **B** from the roller part by depressing the black plastic levers on the slide.
- 2 Attach the static part to the draw using the supplied screws, nuts and washers as illustrated in figure 1.
- 3 Similarly attach the roller part to the draw side beams **C** as illustrated in figure 2.
- 4 Place the side beams into the uprights at the required level and push the draw into place on the draw slides figure 3.



Draw kit shown here being used with Rapid 1 bay

COMPONENTS



IMPORTANT - ASSEMBLY INSTRUCTIONS